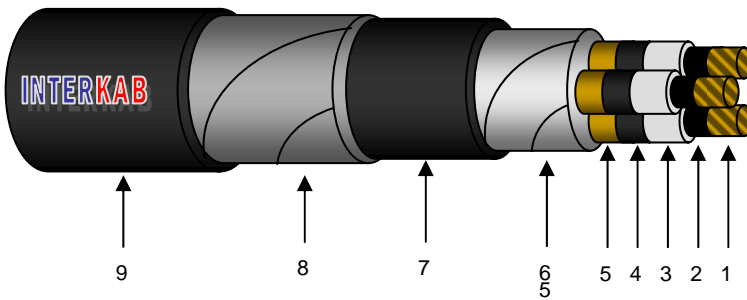


**3.6/6kv
Flame Retardant**

Onshore Power & Control Cables to IEC 60502 Specification

Multi Core Armoured Cables



Applicable Standards:

IEC 60502/1997
IEC 60228/1997
IEC 60332

Application:	For installation on Brackets, Trays, Ducts or direct burial when well protected
(1) Conductor:	Plain round compacted copper conductor according to IEC 60228/1997 specifications
(2) Conductor screen :	The conductors are covered by an extruded semi-conductive layer
(3) Insulation:	Over the conductor screen is extruded Cross Linked Poly-Ethylene (XLPE) compound layer
(4) Insulation screen:	Over the insulation is extruded a semi-conductive layer firmly bonded to the insulation (on request strippable)
(5) Metallic screen:	Over the insulation semi-conductive layer is helically applied one or more copper tapes of 0.1 mm thickness, with a suitable overlap (copper wire screen available on request)
(6) Assembling-Filling-Wrapping:	The three insulated and screened conductors are then assembled together, with Polypropylene fillers and wrapped with non-hygroscopic separation tape, helically applied with a suitable overlap.
(7) Bedding :	Over the assembled cores is extruded a bedding of suitable material resisting at the maximum operating temperature.
(8) Armouring :	Two galvanized steel tapes are applied over the bedding in open helix, the outer tape covering completely the gap left by the inner tape.
(9) Outer sheath:	Over the assembled cores, is finally applied by continuous extrusion the outer PVC Type (ST2) covering, of suitable thickness.

**3.6/6kv
Flame Retardant**

Onshore Power & Control Cables to IEC 60502 Specification

Multi Core Armoured Cables

Nominal cross-section area cond./scr.(mm ²)	50	70	95	120	150	185	240	300
XLPE insulation thickness (mm)	2.5	2.5	2.5	2.5	2.5	2.5	2.6	2.8
Φ or thickness of armour (mm)	0.5	0.5	0.5	0.5	0.5	0.5	0.5	0.5
Outer sheath thickness (mm)	2.4	2.5	2.6	2.8	2.9	3.0	3.2	3.4
Cable overall Diameter approx. (mm)	46.8	50.6	54.7	59.0	62.0	66.2	72.4	79.5
Cable net weight approx. (kg/km)	3700	4540	5580	6650	7750	9020	11110	13580
Ohmic resistance D.C. at 20°C (max) (Ω/km)	0.3870	0.2680	0.1930	0.1530	0.1240	0.0991	0.0754	0.0601
Ohmic resistance A.C. at 90°C (max) (Ω/km)	0.4950	0.3420	0.2480	0.1980	0.1602	0.1300	0.0998	0.0812